



Multifunctional 15" / 1" cabinet with a very broad frequency range and well balanced sound characteristics. With performance similar to the A 6, but with extended bass response, the A 8 is a universal full range audio tool. A variety of M8 and M10 mounting points provide for easy mounting of the accessory hardware and installation. The system is also available in the AF 8 version optimised for permanent installation.

PRODUCT SPECIFICATIONS

Speaker Components	15" Nd / 1"
Description	Multi Purpose Sound System
Power AES / Peak	500 W / 1500 W
Impedance nominal	8 Ω
SPL 1 W / Peak @ 1 m	99 dB / 131 dB
Usable Range	50 Hz - 20 kHz (-10 dB)
Tuning Frequency Excursion minimum	50 Hz
X - Overpoint acoustical	1,3 kHz
Coverage horizontal / vertical	90° x 60° - rotatable
Max. Splay Angle	- - -
Connectors	2 x Neutrik Speakon NL4MP in/out Coding: 1 +/- HiMid, 2 +/- loop thru
Handles	2 x
Rigging / Fittings	2 x M10 / 7 x M8 35 mm pole mount
Weight	23,5 kg
Size height x width x depth	69,8 x 45,0 x 42,5 cm
Order No.	00270/II 00270/AF/II (installation version)



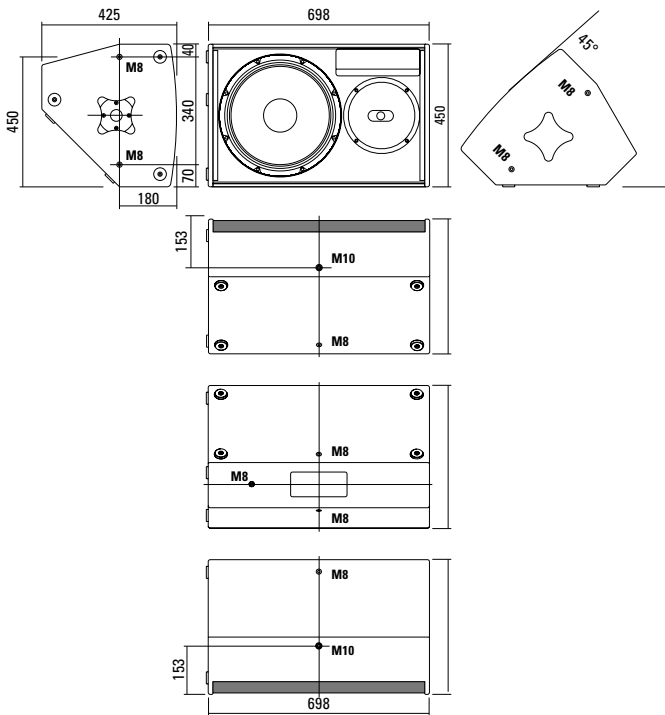
The 35 mm threaded stand socket is integrated in the carrying handle.



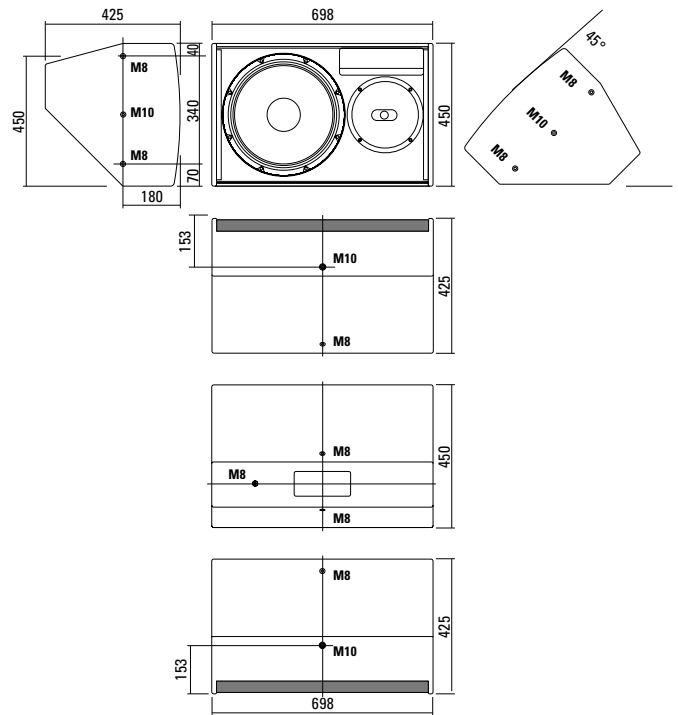
Connection Panel.



DIMENSIONS



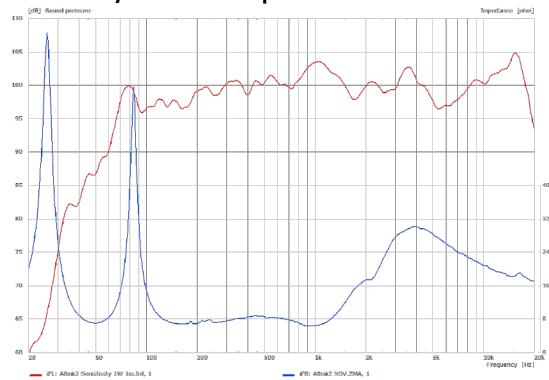
Installation Version AF 8



Controller Setups:

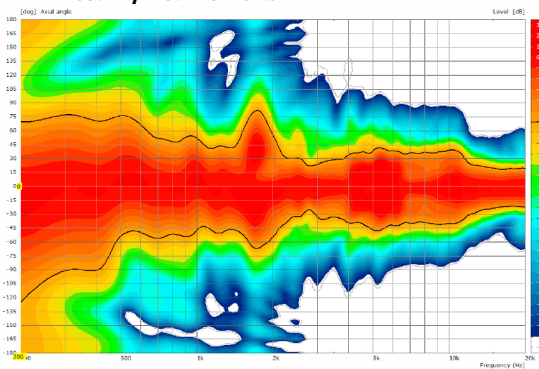
<https://www.seeburg.com/en/downloads>

Sensitivity 1 W @ 1 m + Impedance

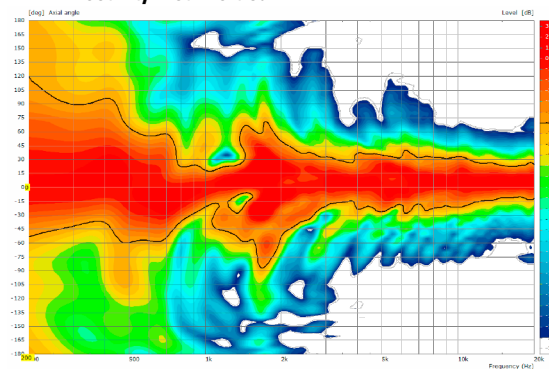


COVERAGE PATTERNS

2D Directivity Plot - horizontal



2D Directivity Plot - vertical

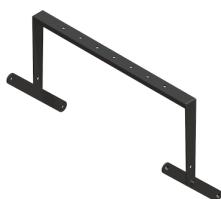


Flying Bracket



for A 8 / TSM 15 / F 8
incl. (black version: 2 x M10 x 30
adjustable handle screws
white version: 2 x M10 x 20
socket head screws)
Order No. **01217/set/w** (RAL 9010)
Order No. **01217/set**

Flying Bracket



for A 8 / TSM 15
horizontal alignment,
incl. accessories
Order No. **01217/H/set/w** (RAL 9010)
Order No. **01217/H/set**

Handle Screw



for flying brackets,
adjustable
M10 x 30
Order No. **08375/30**

Handle Screw



for flying brackets,
axial bearing
M10 x 30
Order No. **08374**

Rubber Washer



for flying brackets,
5 mm x 40 mm Ø
Order No. **01206**

Flange



35 mm Ø → M10 x 16 mm,
M8 x 20 star knob screw
Order No. **08126**

Doughty Quick Trigger Clamp



max. load 250 kg
Order No. **01223/250 kg**

Steel Safety



6 mm x 600 mm, black,
max. load 22 kg (BGI 810-3),
quick connector undetachably
Order No. **01376/6**

Ring Screw



M10– DIN 580
Order No. **73700** (zincd)
Order No. **73700/sw** (black zincd)

TV Spigot



10 mm internal thread,
28 mm Ø
Order No. **08128**

Chain Fastener



VBS 7 mm
Order No. **01378**

ACCESSORIES A 8

Wall Mount



for U-brackets, max. load 40 kg,
incl. screws
(M10 x 70 mm socket head screw,
M10 hex lock nut and flat washer)
for 15" speakers
Order No. **08130/F400/w** (RAL 9010)
Order No. **08130/F400**

Wall Mount



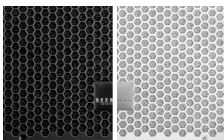
with tilt unit, max. load 40 kg
Order No. **08130**

Speaker Stand



K&M, incl. wind up,
height 138,5 to 218 cm,
max. load 50 kg,
Order No. **03011**

Honeycomb Grilles

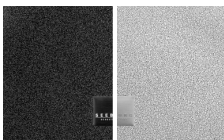


for A 8 front replacement.

Foam behind grille

Order No. **97012/hex/compl**

Order No. **97012/hex/compl/w**
(RAL 9010)



Foam in front of grille

Order No. **97012/compl**

Order No. **97012/compl/w**
(RAL 9010)

Cover



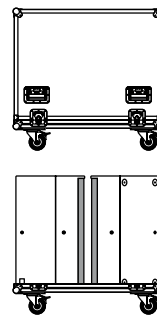
for A 8 / TSM 15,
padded
Order No. **01240**

Rain Cover



for A 8 / TSM 15
Order No. **01240/outdoor**

Flight Case



for 2 pcs. TSM 15 / A 8 / A 8 Sub,
heavy duty, 9,0 mm birch multiplex,
PVC coated, 6 x recessed sprung hand-
les, 4 x butterfly catches, 4 x 100 mm
blue wheels, 2 pcs. with brake, interior
lined with felt.

Order No. **16012/pro**

