

Bass Extension - digitally powered **G Sub 1501 dp++**



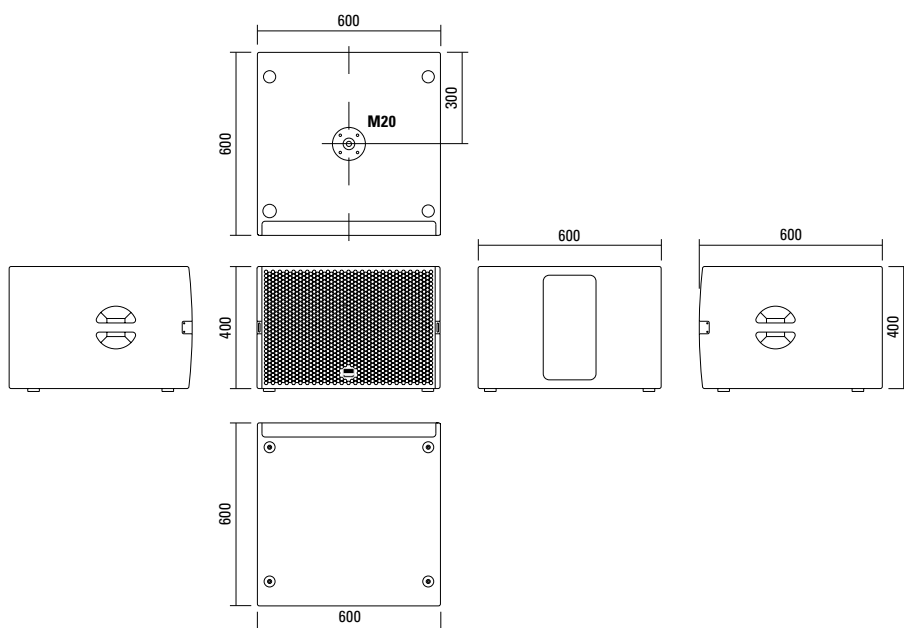
The G Sub 1501 dp++ is a universal 15" high-power subwoofer featuring a low-profile cabinet, 3-channel DSP electronics, and two signal inputs. The DSP offers a choice of four application-oriented presets and level compensations. Two supplementary integrated amplifiers are available to drive Hi-Mid or full-range systems. The 60 x 60 cm footprint allows stable deployment of larger Hi-Mid systems on a speaker pole. Good handling and solid bass response round off the package perfectly.

PRODUCT SPECIFICATIONS

Speaker Components	15" Nd (4" VC)
Description	Digitally Powered Bass Extension
Amp Power	1500 W AES (single mode) / 110-230 V 2400 W AES (dual mode) / 110-230 V 2 x 800 W AES / 4 Ω - HiMi
Rated Current	4,0 A @ 230 V
SPL Peak @ 1 m	135 dB
Max. Input Signal	25 dBu
DSP	HDLM FPGA Processing 32 bit floating point
AD / DA	24 bit / 96 kHz
Latency	0,8 ms (analog in to analog out)
Usable Range - 6 dB	35 Hz - 180 Hz
Tuning Frequency excursion minimum	42 Hz
Connectors	2 x Neutrik XLR in Neutrik PowerCon in 2 x Neutrik Speakon NL4MP out
Handles	2 x
Rigging / Fittings	M20 on top Wheel board fittings
Weight	29 kg (+ 6 kg wheel board)
Size height x width x depth	40,0 x 60,0 x 60,0 cm
Order No.	00620/dp++



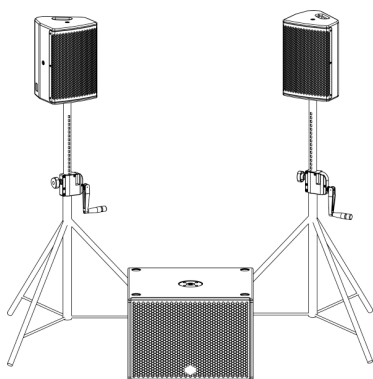
DIMENSIONS



APPLICATIONS

Classical satellite system.

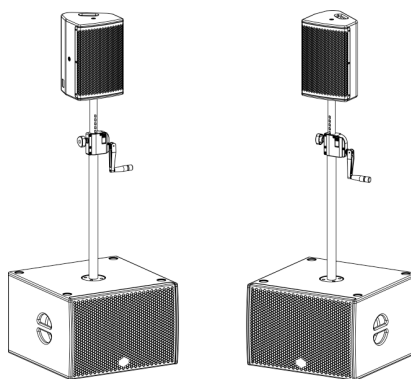
Sound system with a G Sub 1501 dp++ and two mid-hi systems (2 x 2 Stk. / 8 Ω). Very compact transport volume, und adequate sub-woofer power for smaller events.



Classical satellite system with a passive G Sub 1501.

The solution for increased power and reach in the bass range.

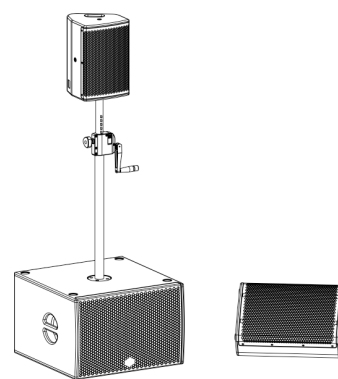
The sub-woofers can be used as mounts for speaker poles for the mid-hi systems. 2 x 2 pcs. / 8 Ω mid-hi systems can be connected.



Mono system with separate loudspeaker.

In AUX mode, the B channel can be used to drive a separate, independent loudspeaker.

Possibilities include stage monitors or additional loudspeakers in the sound reinforcement system (e.g. near fills, under balcony speakers etc.) This variant also applies that an additional G Sub 1501 can be connected passively.



The G Sub 1501 dp++ features integrated digital amplifier electronics with a DSP controller. Various factory-configured presets and volume settings can be selected.

High-grade electronic components from the industrial sector and a first-class circuit design ensure excellent audio quality with low distortion and a minimal noise floor. Highly efficient and "intelligent" limiter systems ensure optimum protection against overload, without restricting the possibilities offered by this high-performance sound system.

Level

Adjustment in 3 dB steps (- 12 dB to + 6 dB).

Status

Mute LED

Red light when the system is muted or under technically critical conditions.

Limit LED

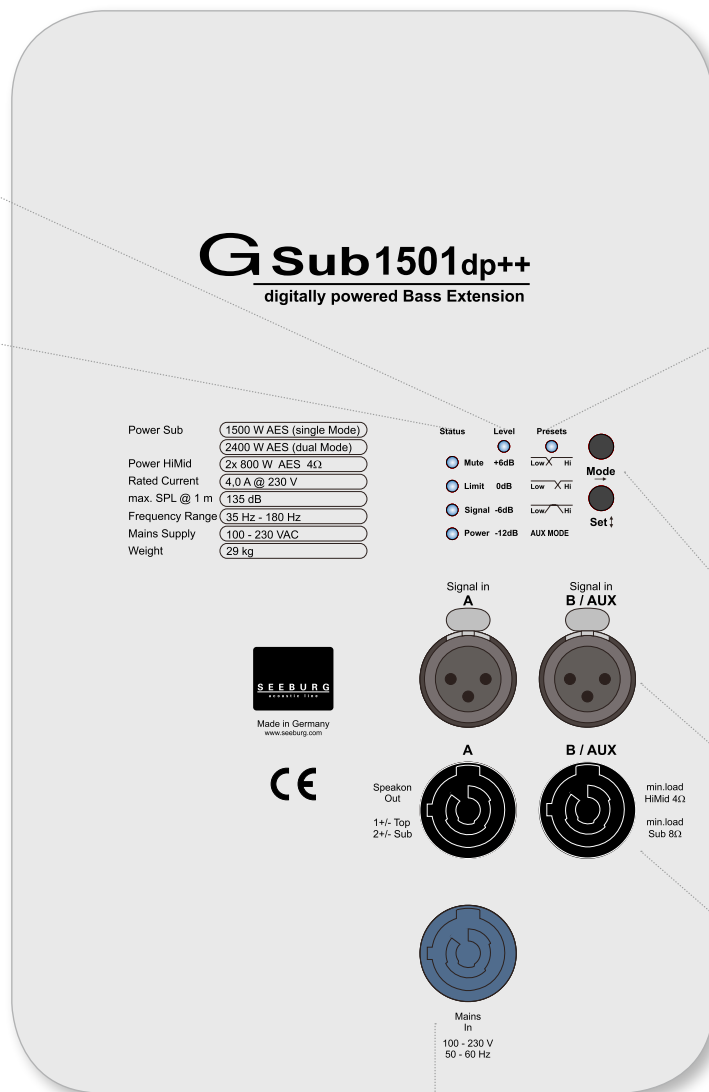
Yellow light when the limiter is restricting the level.

Signal LED

Green light when the input signal exceeds -20 dBu

Power LED

Green light when the system is switched on.



Power Sub	1500 W AES (single Mode) 2400 W AES (dual Mode)
Power HiMid	2x 800 W AES 4Ω
Rated Current	4.0 A @ 230 V
max. SPL @ 1 m	135 dB
Frequency Range	35 Hz - 180 Hz
Mains Supply	100 - 230 V AC
Weight	29 kg

Presets

Low/Hi

2-way active preset with a 100 Hz crossover frequency. Suitable for use with larger passive top cabinets

Low/Hi

2-way active preset with a 140 Hz crossover frequency. Suitable for use with compact passive top cabinets.

Low/Hi

2-way active preset with an overlap in the cross-over frequencies. This enables a frequency response with added emphasis in the low-mid range.

AUX MODE

The signal present at the B/AUX input is passed as a full-range signal through the second amplifier channel, and appears as a loudspeaker signal on the speakon connector B/AUX.

Mode - key

Switches between control modes Status, Level and Presets.

Set - key

Setting of various values and Mute on / off.

XLR

Symmetrical analog input, max. Input +25 dBu. Effective filter protection against HF interference and DC Voltages. Virtual ground lift.

2 x Speakon NL4MP

Pins 1+/- carry the hi-mid component of the A and B/AUX inputs respectively. Pins 2+/- carry the subwoofer signal, and can be used to drive a passive G-Sub 1501.

PowerCon (blue)

Power supply
~100-230 V

ACCESSORIES G Sub 1501 dp++

Speaker Pole

M20, with wind up, K&M

Order No. **03023**



M20, adjustable, K&M

Order No. **03022**



Ceiling Mount

for Subwoofer, 2 parts,
incl. screws

Order No. **08129**

Order No. **08129/w** (RAL 9010)



Wheel Board

for G Sub 1501,
stackable, 6 kg

Order No. **01267**



Cover

for G Sub 1501
by using wheel board

Order No. **01239/WB**



Cover

for G Sub 1501
without wheelboard

Order No. **01239**



Hybrid Cable System

PowerCon-PowerCon / 2 x XLR m/f

2,5 m Order No. **08462/++**

5 m Order No. **08464/++**

10 m Order No. **08466/++**

15 m Order No. **08468/++**

