



GL 16 i + GL 16 c

The GL 16 is a high-performance line array system for high definition voice and music transmission in acoustically challenging venues, particularly in long throw situations. Acoustic coupling between two line arrays arranged one behind the other within the cabinet is exploited in the innovative design of the GL series to provide vertical directivity up to 15 kHz without any loss of power in the lower frequencies, and exceptionally homogenous and symmetrical horizontal dispersion. The design principle also allows the cabinet width to be kept down to a slim 19 cm. The acoustic and mechanical properties of the GL 16 system make it particularly suitable as an alternative to conventional column speakers and compact line arrays. From single element installations in churches, auditoriums and conference facilities to multiple element applications in array configurations in theatres and concert halls, the GL 16 is suitable for a multitude of application. For operation without separate amplifiers and controllers, active dp (digitally powered) version of the GL 16 is available.



GL 16 with front grille available in all RAL-colors.



GL 16 i dp on Monopod.



Integrated fittings for easy connection.

## PRODUCT SPECIFICATIONS



GL 16 i



GL 16 c



GL 16 i Front Grill Version



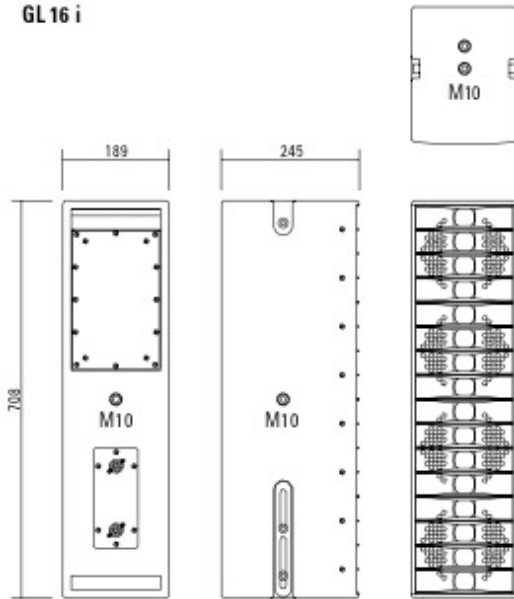
GL 16 c Front Grill Version

**GL 16 with Front Grill**  
for unobtrusive installation  
(custom version).

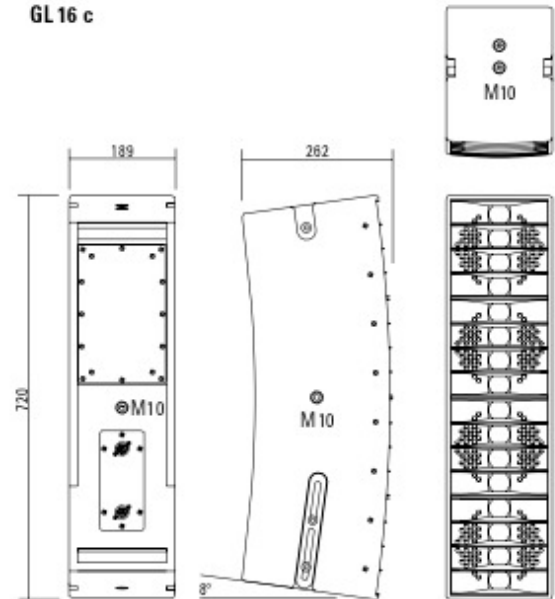
	GL 16 dp 1000	GL 16 a	GL 16 xov
<b>Speaker Components</b>	4 x 6,5" Nd / 16 x 1" Nd Tweeter	4 x 6,5" Nd / 16 x 1" Nd Tweeter	4 x 6,5" Nd / 16 x 1" Nd Tweeter
<b>Description</b>	Digitally Powered Cylindric Wave Radiator	Cylindric Wave Radiator	Cylindric Wave Radiator
<b>Power</b> <small>AES / Peak</small>	---	LF: 400 W / 1200 W HF: 150 W / 450 W	400 W / 1200 W
<b>Amp Power</b>	2 x 500 W AES biamped/ 110-230 V	---	---
<b>Impedance</b> <small>nominal</small>	---	LF: 8 Ω / HF: 8 Ω	8 Ω
<b>Rated Current</b>	0,85 A @ 230 V	---	---
<b>SPL</b> <small>1 W / Peak @ 1 m</small>	---	LF: > 96 dB / 127 dB HF: > 97 dB / 124 dB	> 127 dB
<b>SPL</b> <small>Peak @ 1 m</small>	> 130 dB	---	---
<b>Max. Input Signal</b>	25 dBu	---	---
<b>DSP</b>	HDLM FPGA Processing 32 bit floating point	---	---
<b>AD / DA</b>	24 bit / 96 kHz	---	---
<b>Latency</b>	0,8 ms (analog in to analog out)	---	---
<b>Usable Range</b>	80 Hz - 20 kHz (- 6 dB)	80 Hz - 20 kHz (- 6 dB)	80 Hz - 20 kHz (- 6 dB)
<b>Tuning Frequency</b> <small>excursion minimum</small>	90 Hz	90 Hz	90 Hz
<b>X-Overpoint</b> <small>acoustical</small>	Depends on pre set	Depends on preset	1,1 kHz
<b>Coverage</b> <small>horizontal/ vertical</small>	100° x 7° (i-version) 100° x 23° (c-version)	100° x 7° (i-version) 100° x 23° (c-version)	100° x 7° (i-version) 100° x 23° (c-version)
<b>Mechanical Splay Angle</b>	0° (i-version) 16° (c-version)	0° (i-version) 16° (c-version)	0° (i-version) 16° (c-version)
<b>Connectors</b>	Neutrik XLR in/out Neutrik PowerCon in/out	2 x Neutrik Speakon NL4MP in/out Coding: 1 +/- HF, 2 +/- LF	2 x Neutrik Speakon NL4MP in/out Coding: 1 +/- HiMid, 2 +/- loop thru
<b>Handles</b>	1 x	1 x	1 x
<b>Rigging / Fittings</b>	12 x M10 Integrated flying hardware	12 x M10 Integrated flying hardware	12 x M10 Integrated flying hardware
<b>Weight</b>	17 kg	16 kg	16,5 kg
<b>Size</b> <small>height x width x depth</small>	70,8 x 18,9 x 24,5 cm (i-version) 72,0 x 18,9 x 26,2 (24,5) cm (c-version)	70,8 x 18,9 x 24,5 cm (i-version) 72,0 x 18,9 x 26,2 (24,5) cm (c-version)	70,8 x 18,9 x 24,5 cm (i-version) 72,0 x 18,9 x 26,2 (24,5) cm (c-version)
<b>Order No.</b>	<b>00500/2x500W</b> (i-version) <b>00501/2x500W</b> (c-version)	<b>00500/a</b> (i-version) <b>00501/a</b> (c-version)	<b>00500/xov</b> (i-version) <b>00501/xov</b> (c-version)

## DIMENSIONS

GL 16 i

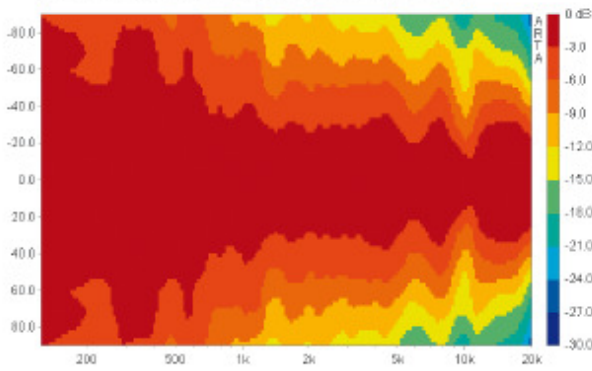


GL 16 c

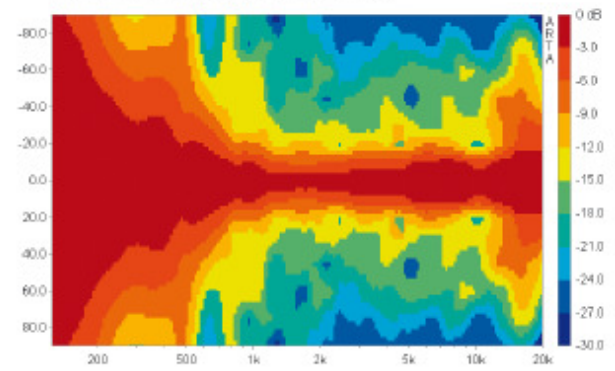


## COVERAGE PATTERNS

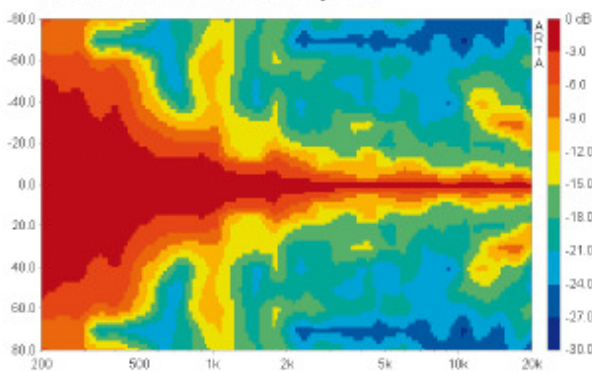
GL 16 i / GL 16 c - horizontal - 2D Directivity Plot



GL 16 c - vertical - 2D Directivity Plot



GL 16 i - vertical - 2D Directivity Plot



Controller Setups:

<https://www.seeburg.net/en/downloads>

Design of two GL 16 systems.

**Continuous internal steel frame**  
with integrated M10 threads.

**M10 thread**  
for installation of the Flying Bracket.

**Fitting with elongated holes**  
for connecting two systems together.

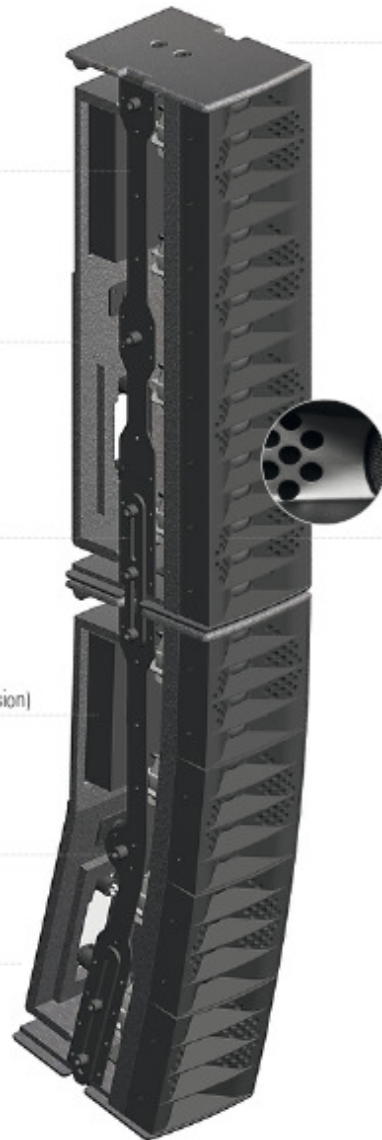
**Integrated amplifier electronics** (dp-version)  
Cover panel in the passive version.

**M10 thread**

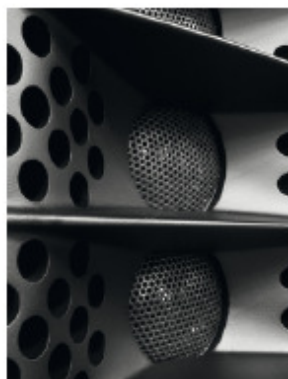
**Additional M10 thread**  
on the rear.

**M10 threads for connection**  
of the Flying Cradle or ring screws.

**AMR® - Channels**



## AMR® PRINCIPLE

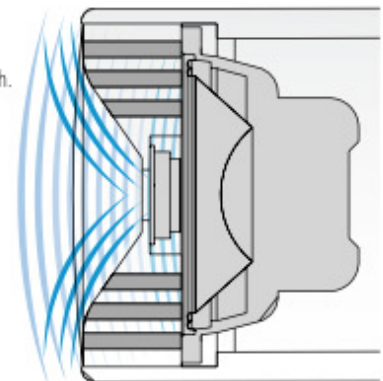


### AMR® Principle.\*

The AMR horn contains integrated channels which allow the sound waves generated by the low-mid speakers mounted behind the horn to pass through.

For sound waves in the frequency range generated by the 1" HF driver, these channels behave as if they were sealed due to the air mass inside the channels acting as a reflector (AMR = Air Mass Reflection).

The low-mid speakers are coupled to an acoustical band pass filter with a center frequency close to the crossover frequency between the Mid and HF drivers. This construction provides smooth horizontal dispersion over a wide frequency range. Another asset is the extreme compactness of this design.





## APPLICATIONS



Wall Mount for Flying Bracket.



Flying Bracket.



Wall Mount with Spacer.



Flying Cradle.



Flying Bracket.



**GL 16 c -> GL Sub**  
GL 16c systems can be mounted with the use of the Connection Adapter.



**GL 16 i -> GL Sub**  
GL 16i systems can be mounted directly.



**GL 16i auf Monopod**



**GL 16 i / GL 16 c / GL Sub**



**GL 16 i / GL 24 / G Sub**



**Four GL 16i** mounted on XL Base Plate by means of a Connection Adapter.

GL 16 systems are available not only as „i“ (straight) and „c“ (curved) versions, but also as selfpowered dp- versions (dp = digitally powered), featuring digital amplifier electronics with a DSP controller. Various factory-configured presets and volume settings can be selected.

High-grade electronic components from the industrial sector and a first-class circuit design ensure excellent audio quality with low distortion and a minimal noise floor.

Highly efficient and “intelligent” limiter systems ensure optimum protection against overload, without restricting the possibilities offered by this high-performance sound system.

**Level**  
Adjustment in 3 dB steps  
(-6 dB to +3 dB).

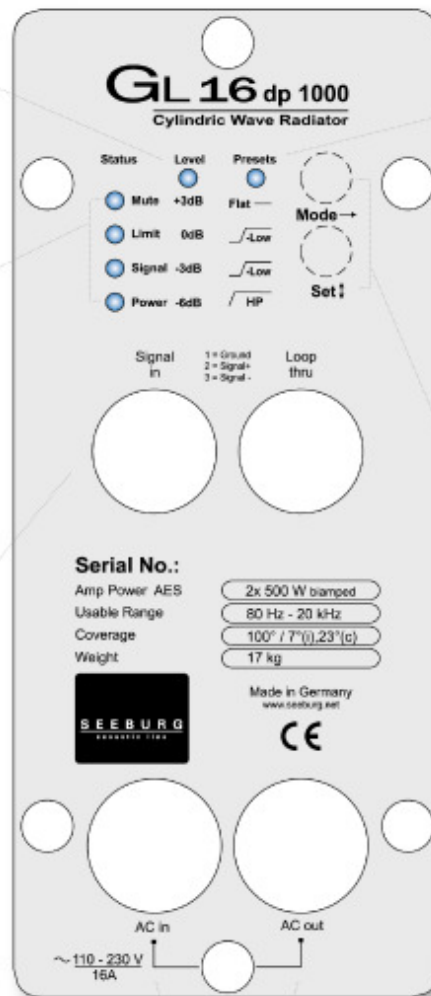
**Status**  
**Mute LED**  
Red light when the system is muted or under technically critical conditions.

**Limit LED**  
Yellow light when the limiter is restricting the level.

**Signal LED**  
Green light when the input signal exceeds -20 dBu

**Power LED**  
Green light when the system is switched on.

**XLR**  
Symmetrical analog input  
max. input +25 dBu.  
Effective filter protection against HF interference and DC Voltages.  
Electrically balanced to prevent noise.



**Presets**  
**Flat**  
This setting provides a linear frequency response with a neutral sound characteristics. Standard setting for many applications.

**Low (slight)**  
Slight reduction of low / mid range frequencies for combination with one GL 16 system.

**Low (strong)**  
Strong reduction of low / mid range frequencies for combination with several GL 16 systems.

**HP 120 (high pass filter)**  
Activates a high pass filter (cut-off frequency 120 Hz) for use in combination with a subwoofer.

**Mode - key**  
Switches between control modes Status, Level and Presets.

**Set - key**  
Setting of various values and Mute on / off.

**PowerCon (blue)**  
Power supply  
~ 110-230 V / 16 A max.

**PowerCon (grey)**  
~ 110-230 V / 16 A max.  
loop through connector

### Flying Cradle



for up to 6 units GL 16 or  
for one unit GL 24

Order No. **01354**

### Flying Bracket



for GL 16,  
incl. (black version:  
2 x M10 x 30 handle screws  
white version:  
2 x M10 x 30 socket head screws)

Order No. **01352/GL16/set/w** (RAL 9010)

Order No. **01352/GL16/set**

### Handle Screw



for flying brackets, adjustable

Order No. **08375/20** (M10 x 20)

Order No. **08375/30** (M10 x 30)

### Knurled Head Screw



reduction screw for fastening  
M10 Flange (08126).

Order No. **73755**

### Flange



for Galeo S / G 3 / GL 16 / GL 24 /  
K 24 flying bracket,  
M20 x 35 mm with nut, incl. 1 x M20  
x 30 socket head screw, 1 x flat

Order No. **08127/nut**

### Doughty Quick Trigger Clamp



max. load 250 kg

Order No. **01223/250 kg**

### Quick Trigger TV Clamp



max. load 200 kg

Order No. **01223/TV**

### Shackle



for GL flying cradle,  
max. load 1000 kg

Order No. **01372/GL**

### Steel Safety



6 mm x 600 mm, black,  
max. load 22 kg (BGI 810-3),  
quick connector undetachably

Order No. **01376/6**

### Ring Screw



M10–DIN 580

Order No. **73700** (zincod)

Order No. **73700/sw** (black zincod)

### Chain Fastener



VBS 7 mm

Order No. **01378**

### TV Adapter



M20 external thread,  
28 mm Ø

Order No. **08128/M20**



TV Adapter -> Flying Bracket

**Wall Mount**



2 x M6 fixing holes (d=70-76 mm),  
1 x M10 fixing hole (center),  
max. load 25 kg  
Order No. **03034**

**Spacer**



for wall mount (03034),  
M10 x 55 (screw),  
polyurea coated  
Order No. **03034/spc**

**Wall Mount**



for U-brackets, 40 kg max., incl. screws  
(M10 x 70 mm socket head screw,  
M10 hex lock nut and flat washer)  
Order No. **08130/F/400** (400 mm)  
Order No. **08130/F/269** (269 mm)

**Connection Adapter**



for small and XL base plate  
for stacking GL 16 i -> base plate  
Order No. **01276/GL16**

**Connection Adapter**



for GL 16 c -> GL Sub  
Order No. **01276**

**Speaker Stand**



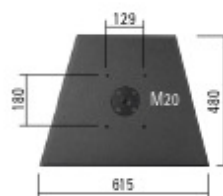
K&M, incl. wind up,  
height 138,5 to 218 cm,  
max. load 50 kg  
Order No. **03011**  
  
K&M, height 137,5 to 218,5 cm,  
max. load 50 kg  
Order No. **03010**

**Monopod**



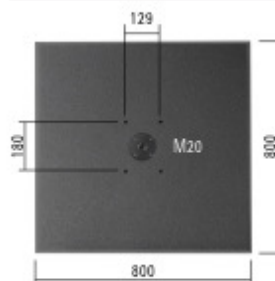
for GL 16,  
height 110 cm  
Order No. **01277**

**Base Plate, Small**



for GL 16 / GL Sub / L-Series  
with M20 flange, 61,5 x 48,0 cm  
Order No. **01278/M20**

**Base Plate, XL**



for stacked mounting  
of multiple GL 16 units / GL Sub  
with M20 flange,  
80,0 x 80,0 cm  
Order No. **01279/M20**



Spacer -> Wall Mount



## ACCESSORIES GL 16

### Stretch Cover



for one unit GL 16,  
other colors available on request

Order No. **01230/GL16**

for two units GL 16,  
several colors on request

Order No. **01230/GL16/long**

### Rain Cover Set



for GL 16,  
set incl. low lid and  
high lid (by using flying cradle),  
connectable to other covers of the  
GL-system

Order No. **01230/outdoor**

### Bag



for one unit GL 16

Order No. **01230**

### Flight Case



for 2 pcs. GL 16 i/c units  
and accessories, heavy duty, 9 mm  
birch multiplex, PVC coated, hinged lid,  
6 x recessed sprung handles,  
2 x butterfly catches, 4 x 100 mm blue  
wheels, 2 pcs. with brake, inserts for  
accessories, interior lined with felt,  
size (H x W x D): 48 x 77 x 61 cm

Order No. **16004/pro/T**

### Hybrid Cable System



PowerCon-PowerCon / XLR-XLR

2,5 m    Order No. **08462**

5 m      Order No. **08464**

10 m     Order No. **08466**

15 m     Order No. **08468**

