



Ultra flat stage monitor fitted with lightweight coaxial 12" / 1.4" Neodymium drivers. With high power reserves, homogeneous sound distribution and low tendency to feedback, the M 3 is a tool that will greatly simplify a sound engineer's job. Combined with the optional flying bracket, the system can also be used both as a downfill and as a univesal sound system.

PRODUCT SPECIFICATIONS

Speaker Components	12" Nd / 1.4" Nd Coaxial
Description	Low Profile Monitor
Power AES / Peak	500 W / 1500 W
Impedance nominal	8 Ω
SPL 1 W / Peak @ 1m	98 dB / 133 dB
Usable Range	80 Hz - 19 kHz (- 6 dB)
Tuning Frequency excursion minimum	90 Hz
X - Overpoint acoustical	1,2 kHz
Coverage horizontal / vertical	60° - conical
Max. Splay Angle	- - -
Connectors	2 x Neutrik Speakon NL4MP in/out Coding: 1 +/- HiMid, 2 +/- loop thru
Handles	2 x
Rigging / Fittings	2 x M10
Weight	16 kg
Size height x width x depth	27,4 x 40,0 x 47,0 cm
Order No.	01068



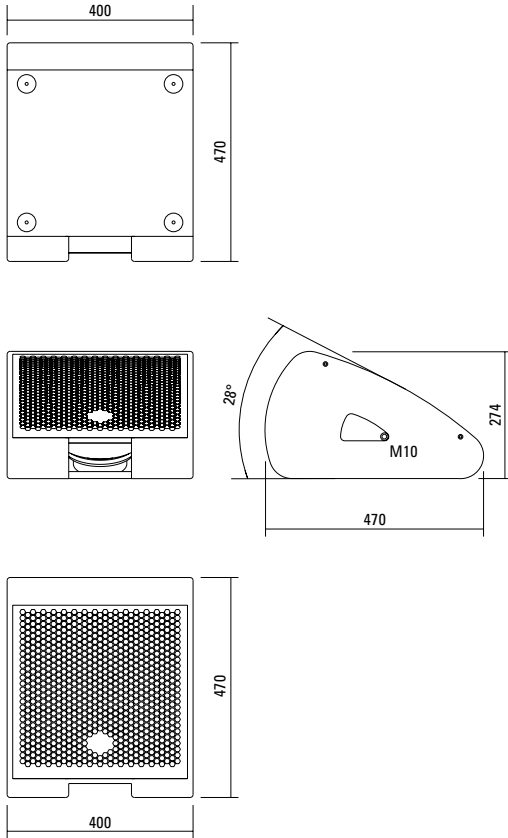
The attractively formed handle cutouts guarantee comfortable handling.



The connectors are good face accessible to the user.

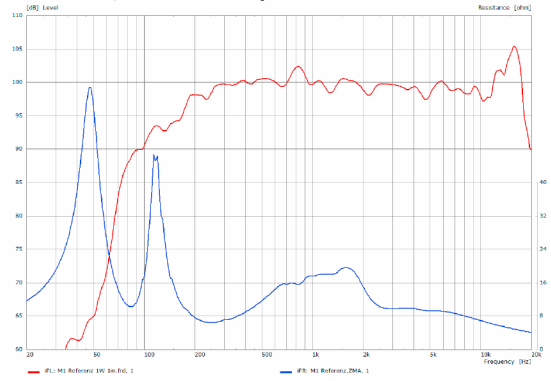


DIMENSIONS

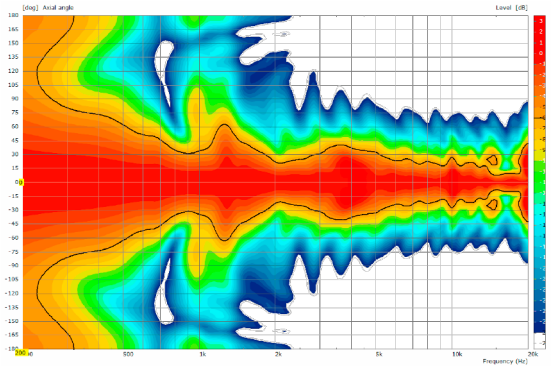


MEASUREMENTS

Sensitivity 1 W @ 1 m + Impedance



2D Directivity Plot - horizontal



Controller Setups:

<http://www.seeburg.net/en/downloads>

APPLICATIONS



ACCESSORIES M 1



Flying Bracket

for M 1
incl. screws
(per unit: 2 pcs. M10 x 60 adjustable
handle screws)
Order No. **01202**



Handle Screw

for flying brackets, adjustable
M10 x 60
Order No. **08375/60**



Flange

35 mm Ø → M10,
Order No. **08126**



Doughty Quick Trigger Clamp

max. load 250 kg
Order No. **01223/250 kg**



Ring Screw

M10– DIN 580
Order No. **73700**



TV Spigot

10 mm internal thread,
28 mm Ø
Order No. **08128**



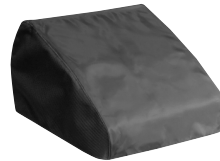
Steel Safety

6 mm x 600 mm, black,
max. load 22 kg (BGI 810-3),
quick connector undetachably
Order No. **01376/6**



Chain Fastener

VBS 7 mm
Order No. **01378**



Rain Cover

for M 1
Order No. **01228/outdoor**



Flight Case

for 2 pcs. M 1,
heavy duty, 9 mm birch multiplex,
PVC coated, hinged lid, 6 x recessed
sprung handles, 2 x butterfly catches,
4 x 100 mm blue wheels, 2 pcs. with
brake, stackable, interior lined with felt
Order No. **16015/pro**