

KEY FEATURES

- Superior sound reproduction quality
- Extended frequency response (1 - 23 kHz)
- High sensitivity (104 dB)
- High power handling 240 W program (X-bow®)
- Extremely linear frequency response
- Ultra low distortion
- Cast aluminum 80° x 30° horn
- Designed for High End systems

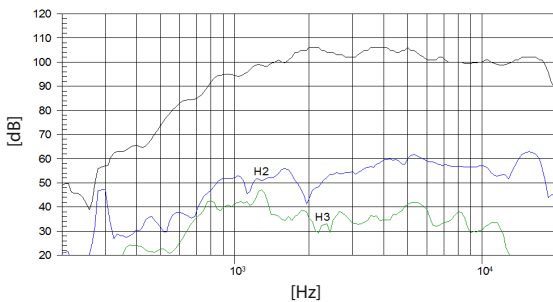
TECHNICAL SPECIFICATIONS

Rated impedance	8 Ω
D.C. resistance	4,9 Ω
Power capacity*	120 W _{AES} above 1 kHz
Program power	240 W above 1 kHz
Sensitivity**	104 dB 1W @ 1m
Frequency range	1 - 23 kHz
Recommended crossover	1 kHz or higher (12 dB/oct min.)

MOUNTING INFORMATION

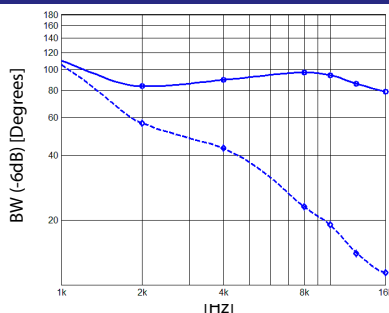
Overall dimensions	230 x 230 x 152 mm 9,05 x 9,05 x 5,98 in
Cutout dimensions	195 x 195 mm 7,68 x 7,68 in
Mounting	Eight M5 threaded holes
Net weight	3,55 kg 7,82 lb
Shipping weight	3,85 kg 8,48 lb

FREQUENCY RESPONSE AND DISTORTION



Note: On axis frequency response measured in anechoic chamber, 1W @ 1m

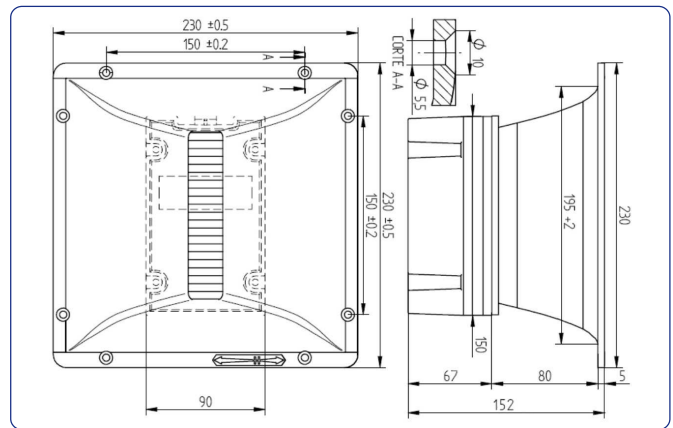
-6 dB BEAMWIDTH



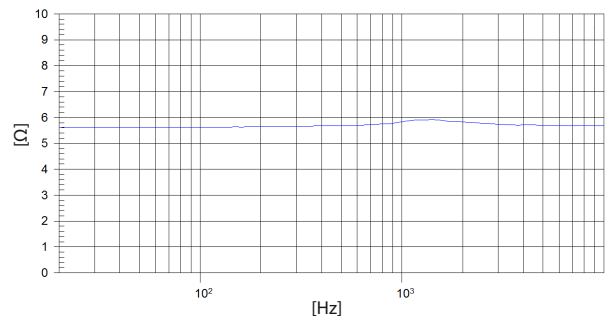
Notes:
* The power capacity is determined according to AES2-1984 (r2003) standard. Program power is defined as the transducer's ability to handle normal music program material.
** Sensitivity was measured at 1m distance, on axis, with 1W input, averaged in the range 2 - 20 kHz.



DIMENSION DRAWINGS



FREE AIR IMPEDANCE CURVE



DIRECTIVITY INDEX

